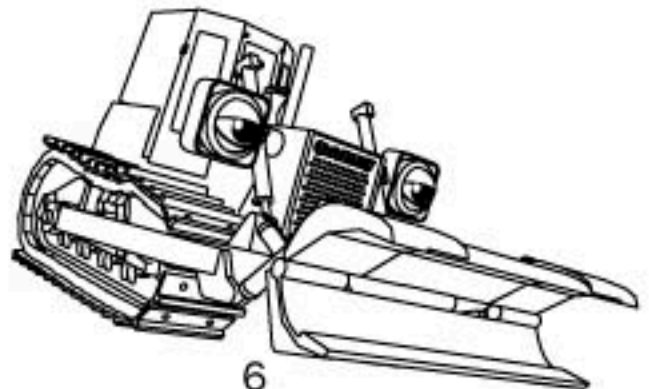
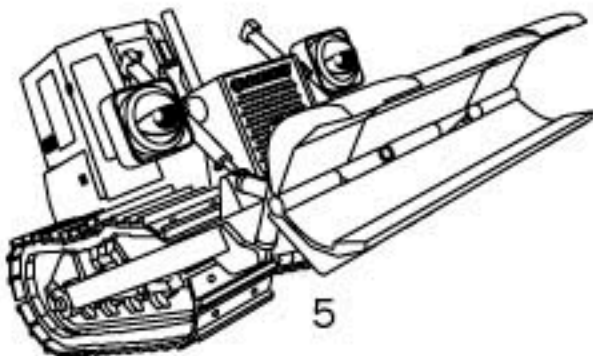
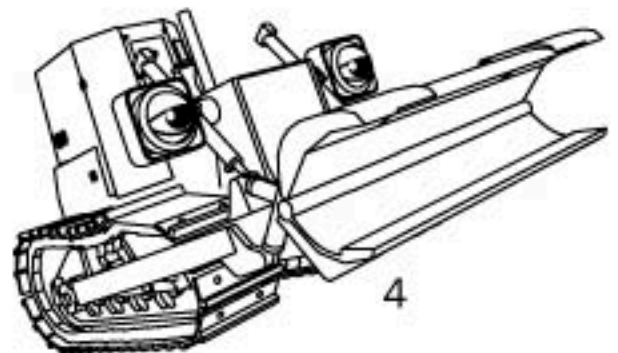
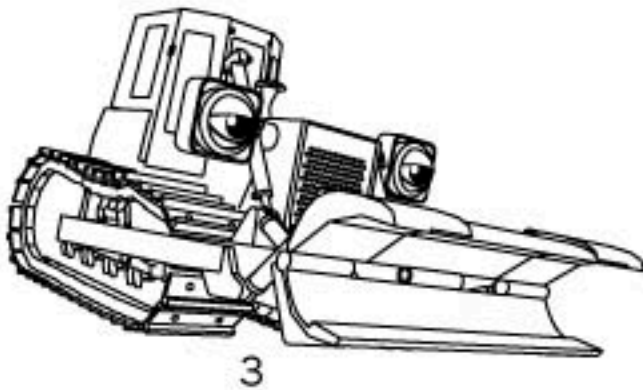
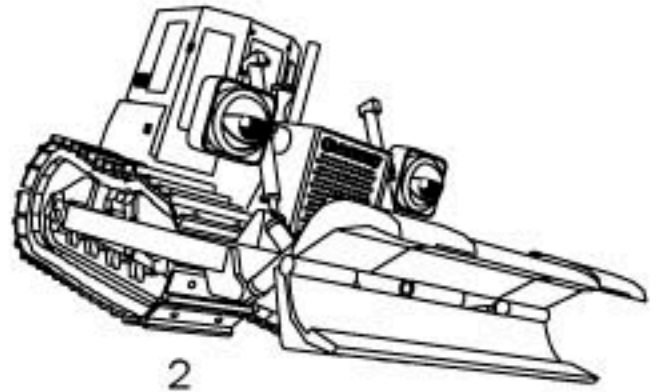
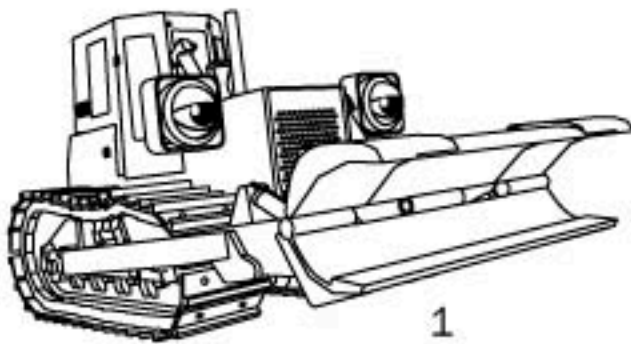




## Who's the real Barry?

Which two are exactly alike?



See you tomorrow for a new activity!

ANSWER: 2 AND 5 ARE EXACTLY ALIKE