



# How far did Rachel travel?

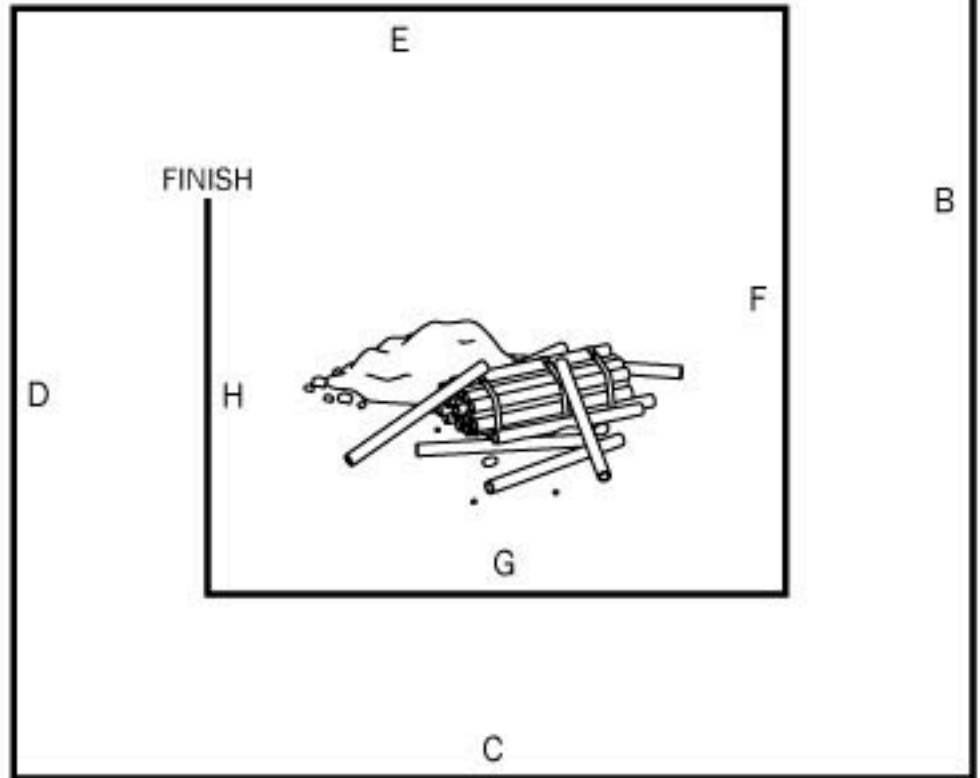
Cut out the ruler at the bottom of the page.  
Use it to measure how far Rachel has traveled!



START

A

- A = \_\_\_\_\_
- B = \_\_\_\_\_
- C = \_\_\_\_\_
- D = \_\_\_\_\_
- E = \_\_\_\_\_
- F = \_\_\_\_\_
- G = \_\_\_\_\_
- H = \_\_\_\_\_



*Rachel traveled this far!*

See you tomorrow for a new activity!

ANSWERS: A=6, B=6, C=6, D=4, E=4, F=3, G=3, H=2, RACHEL TRAVELED 33 UNITS.

The materials contained on this web site are protected under various laws, including Copyright and Trademark laws. You are welcome to use these materials for your personal, non-commercial use only. Any modification or use of these materials (in whole or in part) for any other purpose is strictly prohibited. TM Rhico Films (Toronto). All Rights Reserved. Cody's Crew Copyright © 1998, 1999, 2000, 2001 Malcolm Marcus and Lisa Wiseman, Marcus/Wiseman Entertainment Inc. with Rhico Films (Toronto) MISC\_029\_MEASURE4

