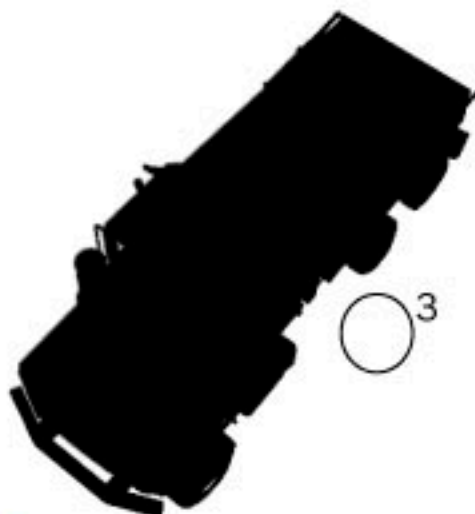
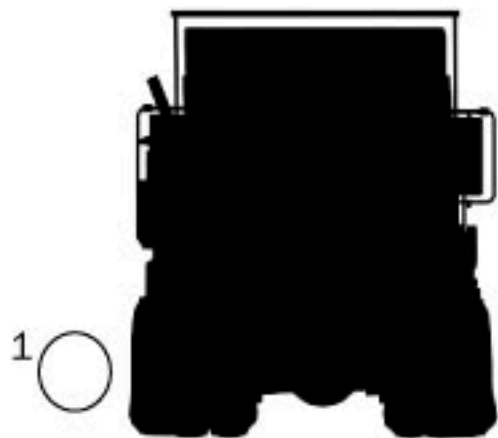




Shadow match with Mitch

Match the picture of Mitch to the correct shadow.

Put the correct letter in the circle.



See you tomorrow for a new activity!

ANSWERS: 1-B, 2-A, 3-D, 4-C